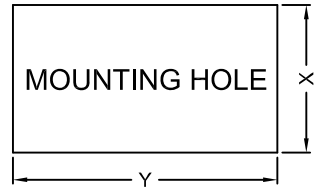
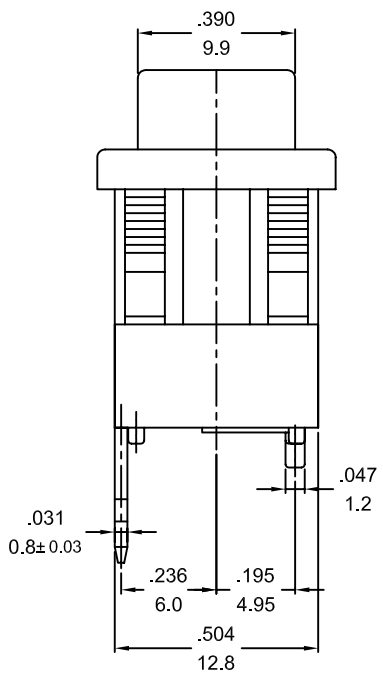
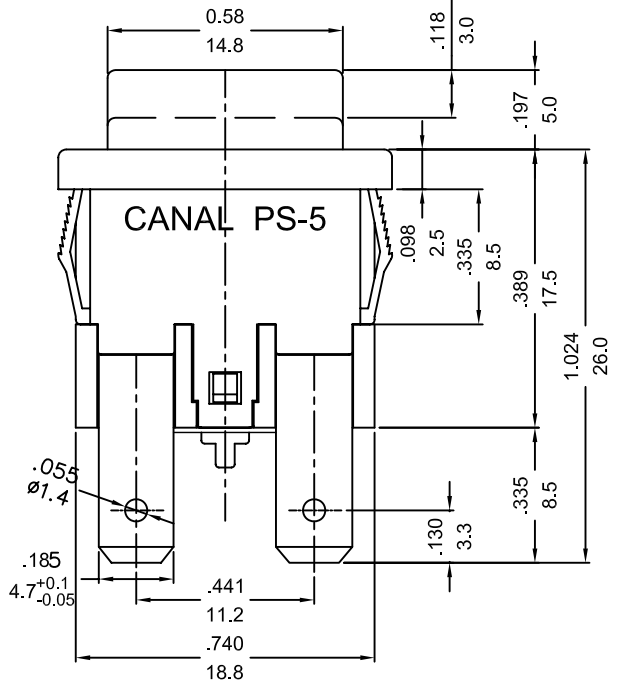


SPECIFICATION MODEL : "PS-5" SERIES
 RATING: 16A 125/250VAC (UL/CSA)
 16A(4) 250VAC ~ T125/55 (ENEC/VDE)
 CONTACT RESISTANCE: 20mΩ INITIAL (MAX)
 INSULATION RESISTANCE: 500VDC 100MΩ (MIN)
 WITHSTAND VOLTAGE: 1,000VAC FOR 1 MINUTE



X=panel thickness	Dim.Y	Dim.z
0.75~1.25mm	19.2 ⁺⁰ _{-0.1} mm	12.9 ^{+0.15} ₋₀ mm
1.25~2mm	19.4 ⁺⁰ _{-0.1} mm	12.9 ^{+0.15} ₋₀ mm
2~3mm	19.8 ⁺⁰ _{-0.1} mm	12.9 ^{+0.15} ₋₀ mm



NOTE: TOLERANCES UNLESS OTHERWISE SPECIFIED: ± .012/0.3 (in/mm)

REVISION	DESCRIPTION	REVISED BY	TOLERANCES X.X:±0.1	ANGLE 1/2°	UNIT	mm	PART NAME	DWG NO
△			DRAWN BY	刘义正	DESIGNED BY	冯红岗	SCALE	2/1
△			CHECKED BY		APPROVED BY		DATE	2006.11.07
△	2011.07.14 整理资料, 重新出图	向宏					PART NO	PS-5-110-FN**-S
△	2006.11.07 新增规格, 首次出图	刘义正						S1622B