

PUSH SWITCH MODEL PS17-6 SERIES

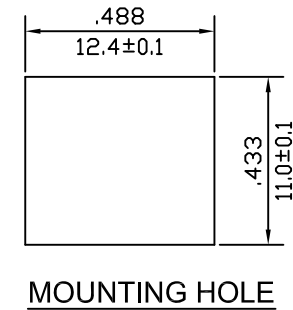
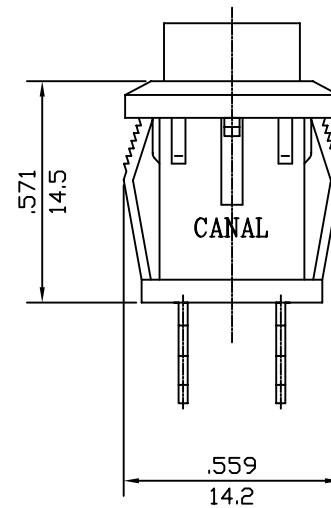
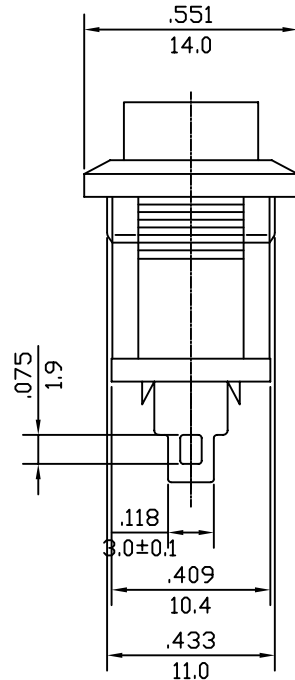
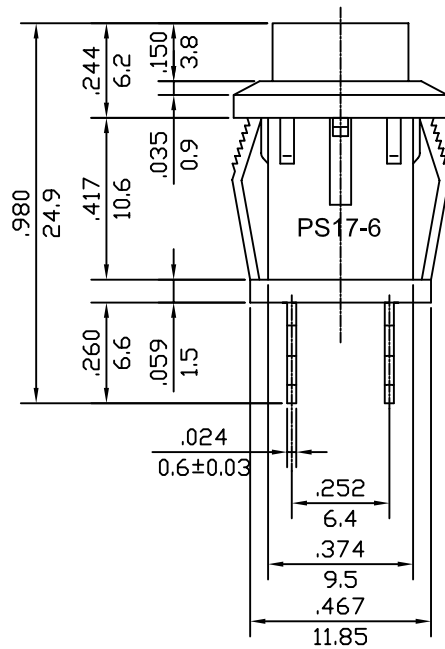
RATING: 1A 125VAC

INSULATION RESISTANCE: 100MΩ (MIN), DC 500V

DIELECTRIC STRENGTH: 1000VAC FOR 1 MINUTE

CONTACT RESISTANCE : 20mΩ (MAX).

ON-(OFF) = PUSH OFF



NOTE: TOLERANCES UNLESS OTHERWISE SPECIFIED: ± $\frac{0.12}{0.3}$ (in/mm)
2.X MEANS FOR APPLICATION PANEL THICKNESS MUST BE UNDER 4.0mm

REVISION	DESCRIPTION	REVISED BY	TOLERANCES X.X:±0.1	ANGLE $\frac{1}{2}^\circ$	UNIT	mm	PART NAME	DWG NO
△			DRAWN BY 达志各	DESIGNED BY 达志各	SCALE	2/1	PS17-6 SPEC DRAWING	S2196A
△			CHECKED BY	APPROVED BY	DATE	2009.07.30	PART NO	PS17-6-6B1**
△	2009.07.30 首次出图	达志各						